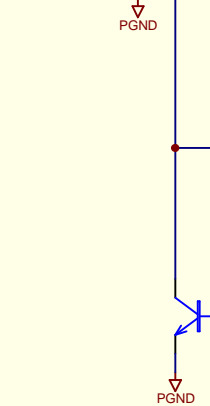
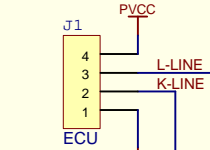
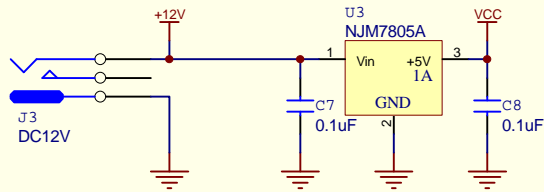
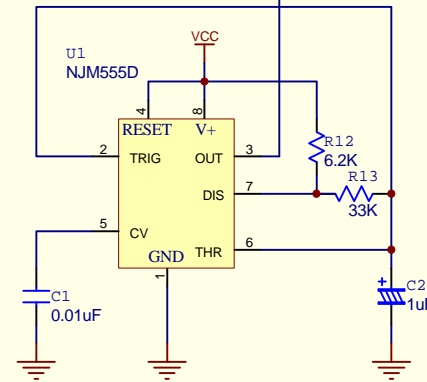
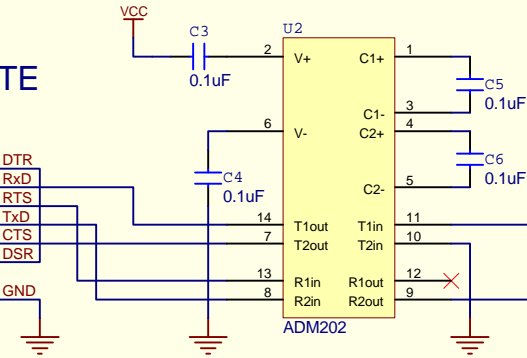
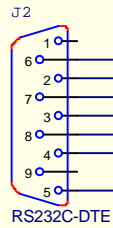


MAZDA ECU



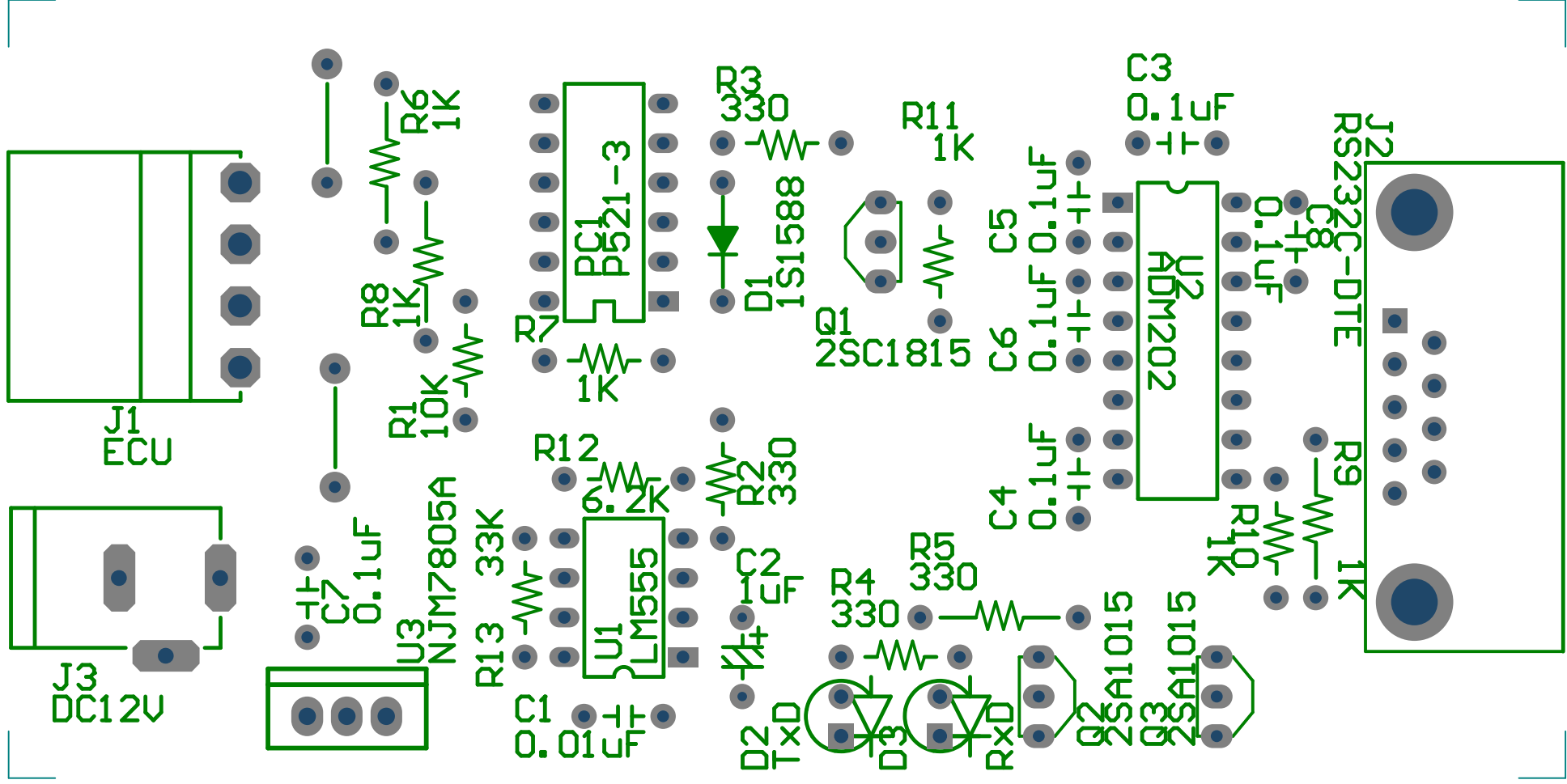
RS232C DTE



Title MAZDA Diagnosis port I/F		Designed by H.Kashima	
Size: A4	Number: 1	Revision: 1.0	TSUKUBA City, IBARAKI 305 JAPAN
File: R:\FD3S\FD3S.ddb - Documents\interface.sch		Date: 21-May-2002 Time: 23:17:28	Sheet 0 of 0

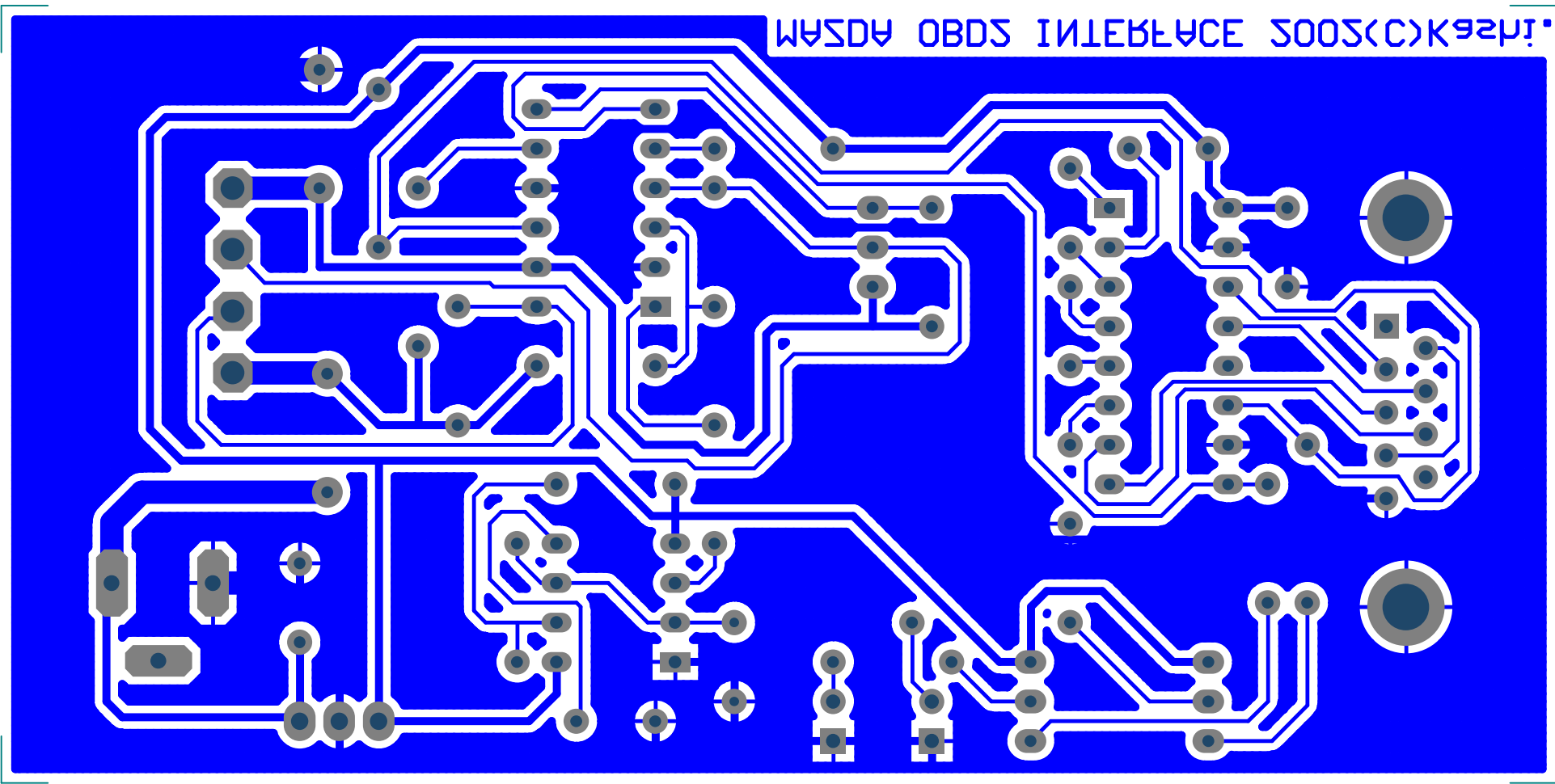


100 (mm)



50 (mm)

100 (mm)



50 (mm)