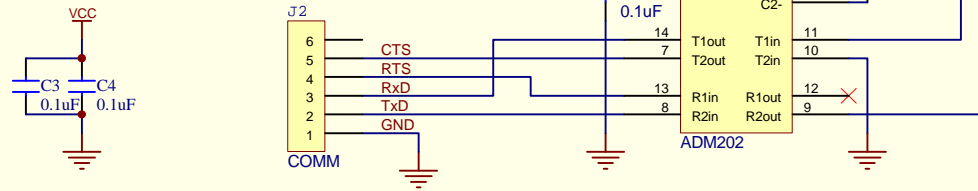
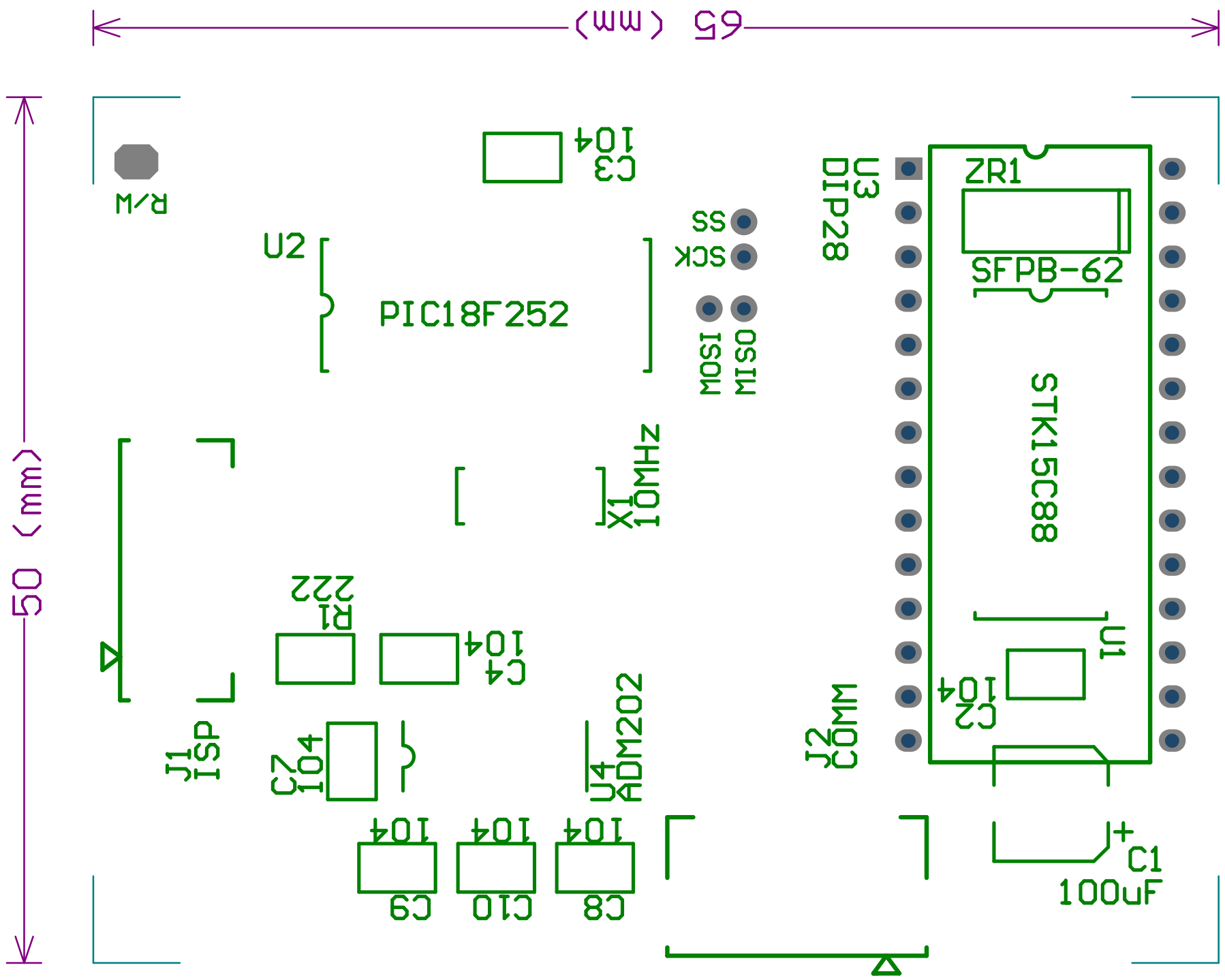


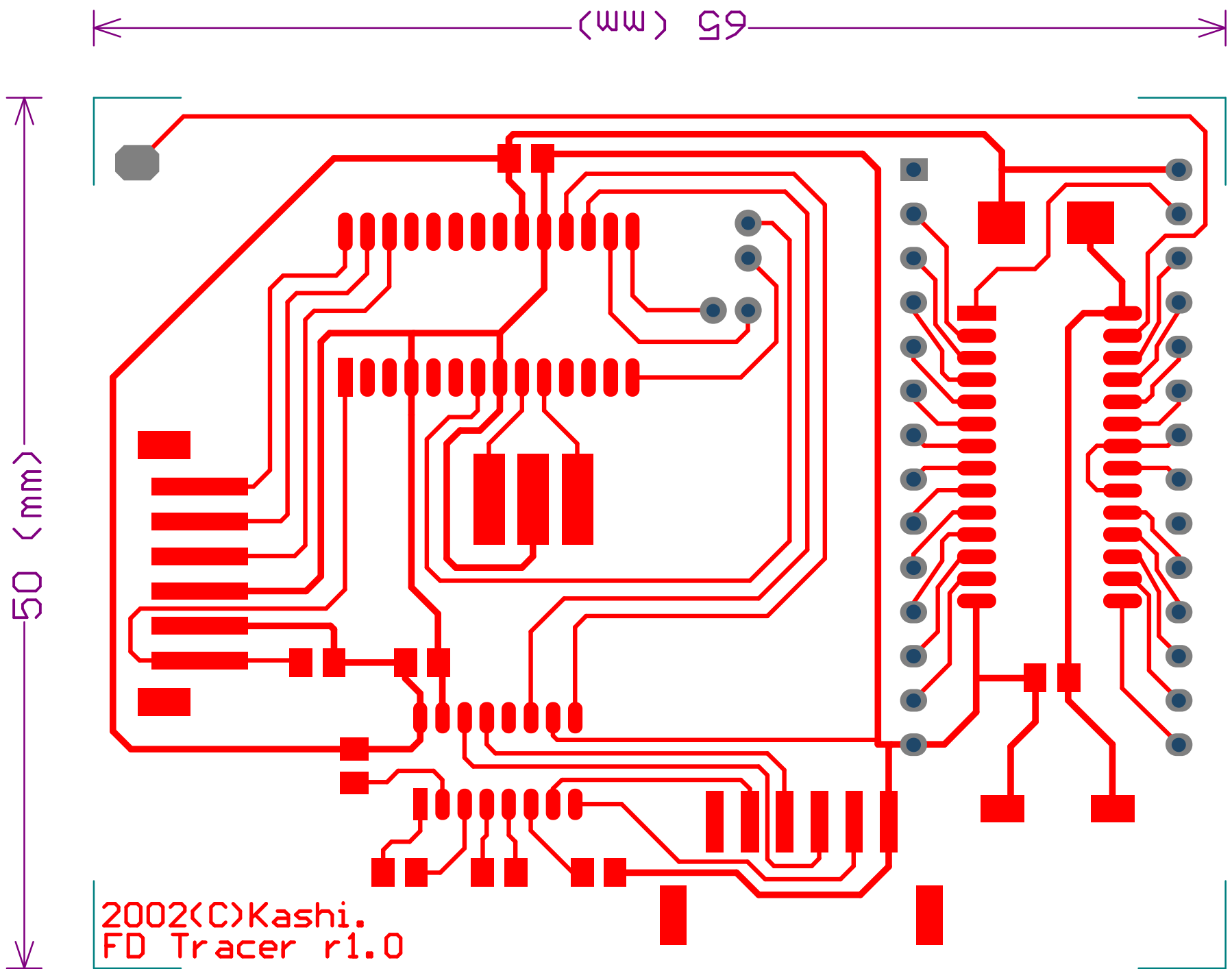
RS232C DTE



Title FD Tracer		Designed by H.Kashima	
Size: A4	Number: 1	Revision: 1.0	TSUKUBA City, IBARAKI 305 JAPAN
File: R:\FD3S\FD3S.ddb - Documents\nvsram.sch		Date: 28-Sep-2002Time: 19:38:10	Sheet 0 of 0







50 (mm)

65 (mm)

2002(C)Kashi.
FD Tracer r1.0