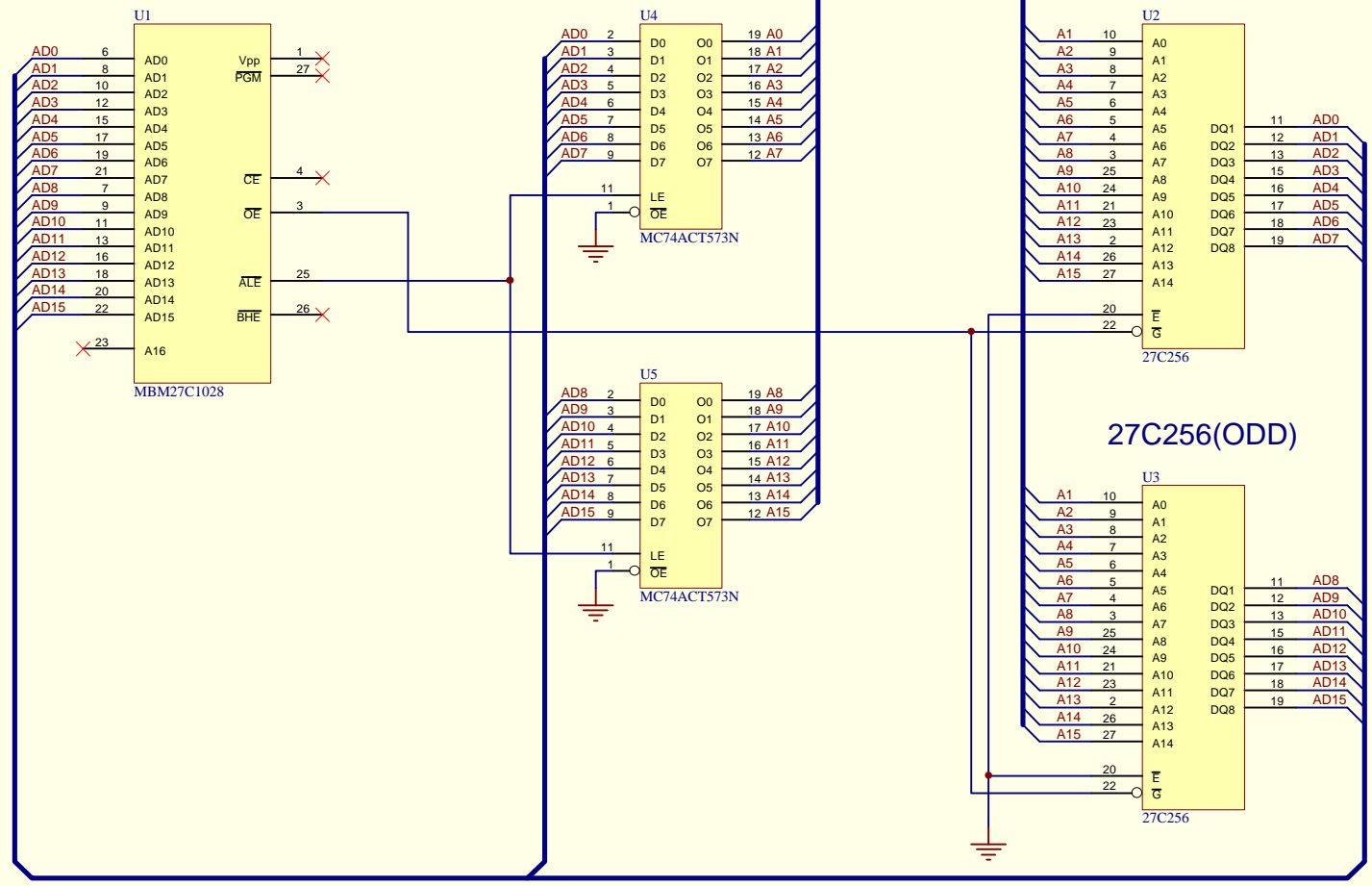


**MBM27C1028 INPUT**

**27C256(EVEN)**

**27C256(ODD)**



Title		Designed by H.Kashima	
<b>MBM27C1028 to 27C256 Adapter for EJ20</b>			
Size: A4	Number: 1	Revision: 1.0a	TSUKUBA City, IBARAKI 305 JAPAN
File: D:\KASHIMA\SCHEMA\GC8ROM		Date: 19-Mar-1997	Time: 10:30:24
		Sheet 1	of 1

