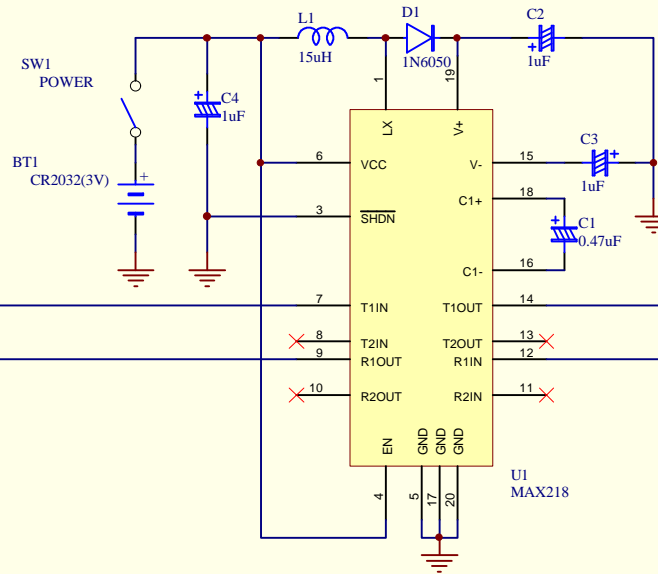


J1
MQ138-M16(13)S

- 1 SerialGND
- 2 TCH_TxD
- 3 TCH_GND
- 4 TCH_Frame
- 5 TCH_Clock
- 6 UpLoadSerial
- 7 DownLoadSerial
- 8 Reserved
- 9 SerialGND
- 10 TCH_RxD
- 11 Reserved
- 12 Control1
- 13 Control2
- 14 UnitAvail
- 15 UnitPower
- 16 Reserved



J2
DSUB25P

- 1 SG
- 2 TXD
- 3 RXD
- 4 RTS
- 5 CTS
- 6 DSR
- 7 GND
- 8 DTR
- 9
- 10
- 11
- 12
- 13
- 14
- 15
- 16
- 17
- 18
- 19
- 20
- 21
- 22
- 23
- 24
- 25

| | | | |
|---|-------------------|-----------------------|------------------------------------|
| Title DoCoMo Mobile Phone Interface | | Designed by H.Kashima | |
| Size: A4 | Number: 1 | Revision: 1.0 | TSUKUBA City, IBARAKI 305 JAPAN |
| File: R:\DOCOMO.SCH | Date: 11-Jun-1998 | Time: 11:41:35 | Sheet 1 of 1 |

