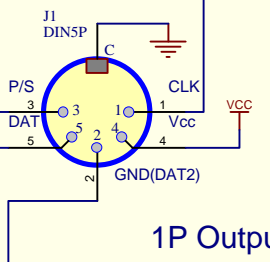
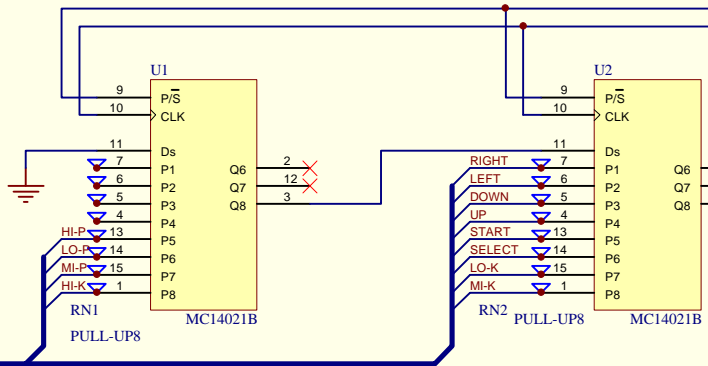
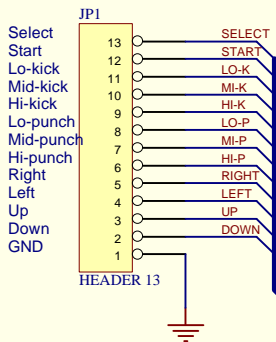
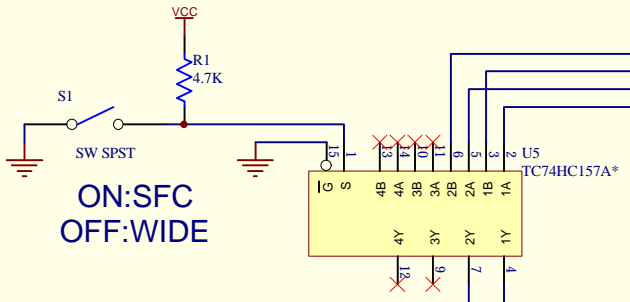


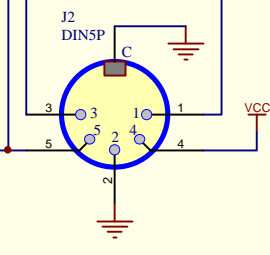
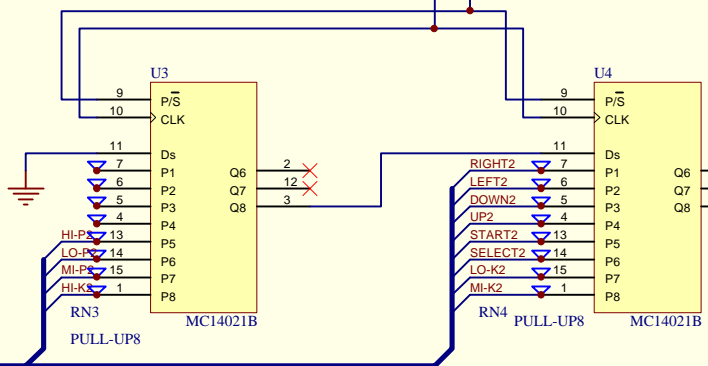
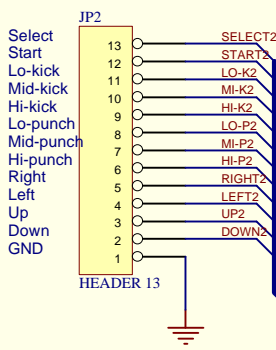
1P Joy Stick Input



1P Output



2P Joy Stick Input



2P Output

Title FCSI Transmitter		Designed by H.Kashima	
Size: A4	Number:	Revision: 1.0	TSUKUBA City, IBARAKI 305 JAPAN
File: D:\TEMP\VOPO2401.SCH		Date: 20-May-1997 Time: 12:03:20	Sheet 1 of 1

