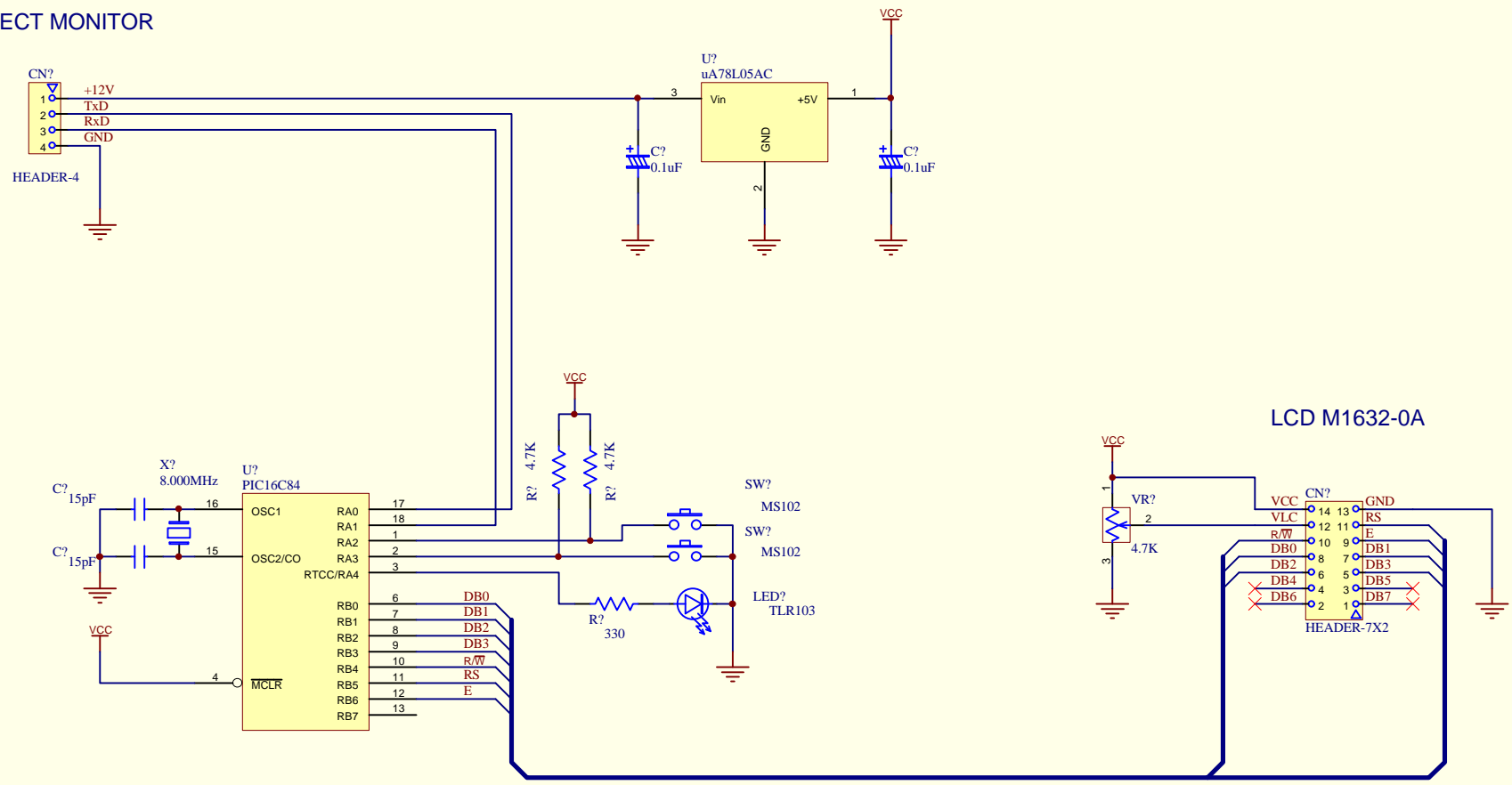


SELECT MONITOR



Title ECU Monitor for SUBARU		Designed by H.Kashima	
Size: A4	Number:	Revision: 1.0	TSUKUBA City, IBARAKI 305 JAPAN
File: D:\KASHIMA\SCHEMA\ECU_MONITOR.DWG		Date: 19-Mar-1997	Time: 10:31:05 Sheet 1 of 1

