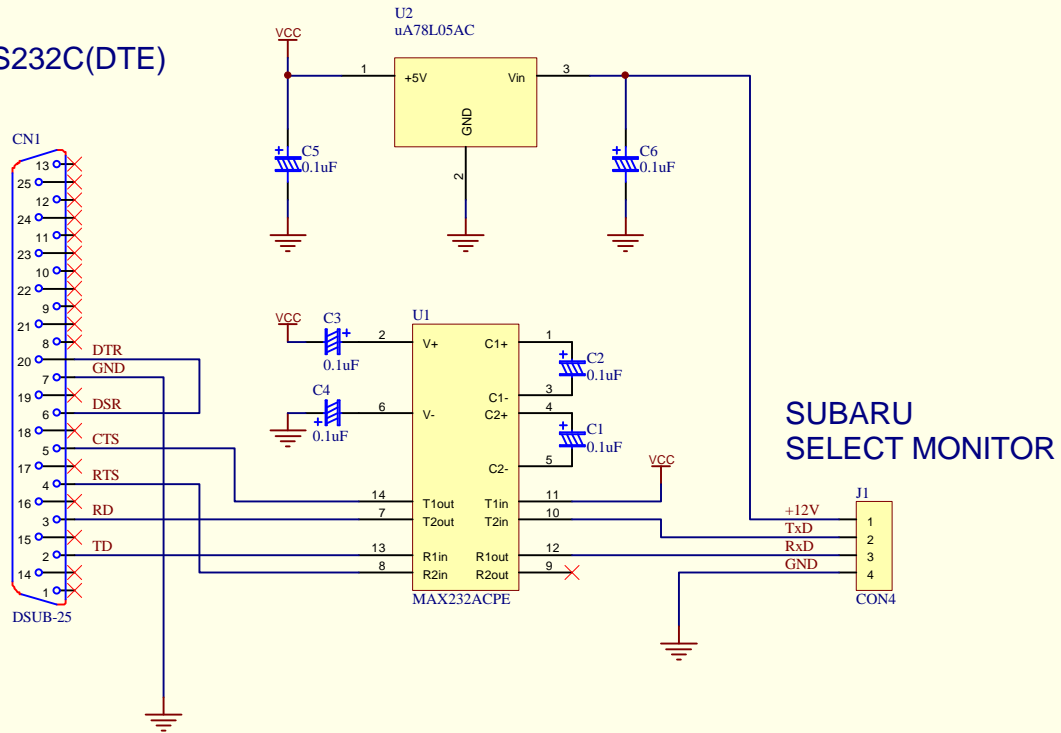


RS232C(DTE)



Title		Designed by H.Kashima	
<b>Level converter for SUBARU SelectMonitor</b>		TSUKUBA City, IBARAKI 305 JAPAN	
Size: A4	Number: 1	Revision: 1.0	File: D:\KASHIMA\SCHEMA\SUBARU
Date: 19-Mar-1997		Time: 10:32:11	Sheet 1 of 1

